

Part number list

WO128128B-□□□-□□#

Feature

1. Built-in controller ST75161
2. Built-in voltage booster
3. +3.3V single power supply
4. 6800/8080/SPI/I2C interface

Pin Assignment

Pin No.	Symbol	Description
1	ESD GND	ESD Ground
2	VG	VG is the power of SEG-driver
3	V0	For common circuits at positive frame
4	XV0	For common circuits at negative frame
5	CA1P	DC/DC voltage converter
6	CA1N	DC/DC voltage converter
7	VDD	Power supply
8	VSS	Ground
9	COMSCN	Set scan direction of COM
10	IF2	Select interface operation mode
11	IF1	Select interface operation mode
12	IF0	Select interface operation mode
13	CSB	Chip select input pin
14	A0	H: Instruction code, L: Data code
15	ERD	Read/Write execution control pin
16	RWR	Read/Write execution control pin
17	RSTB	Hardware reset input pin
18-25	D0-D7	Data bus line
26	A	Anode input for LED backlight
27	K	Cathode input for LED backlight
28	ESD GND	ESD Ground

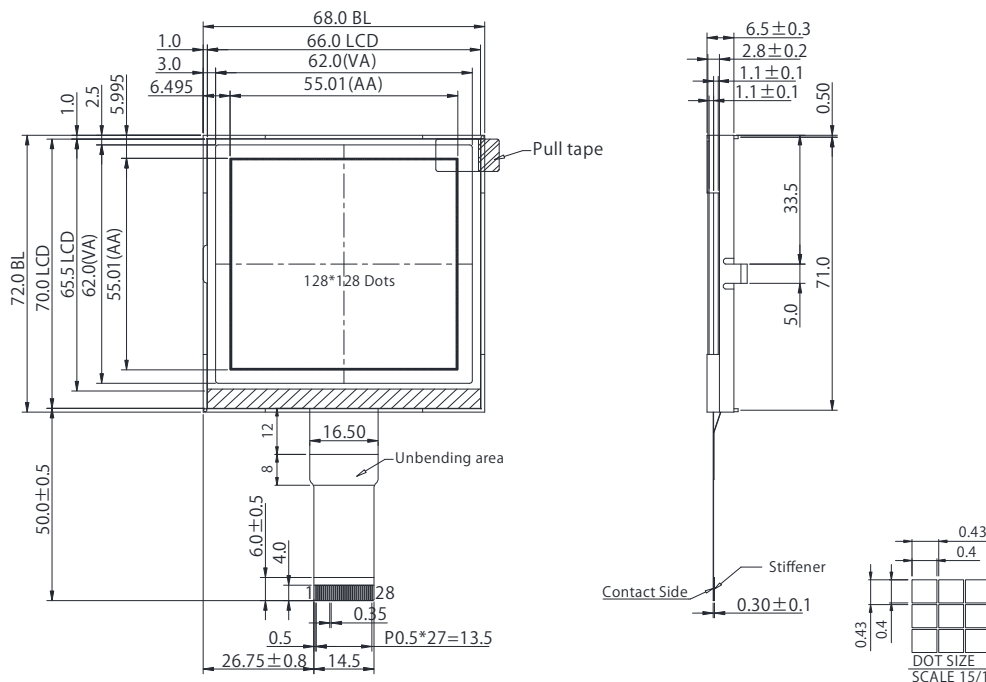
Mechanical Data

Item	Standard Value	Unit
Module Dimension	68.0 x 72.0	mm
Active Area	55.01 x 55.01	mm
Dot Pitch	0.43 x 0.43	mm
Dot Size	0.4 x 0.4	mm

Electrical Characteristics

Item	Symbol	Standard Value	Unit
		typ.	
Input Voltage	VDD	3.3	V

Mechanical Drawing



The non-specified tolerance of dimension is ±0.3 mm.