

Part number list

WO320240F-□□□-□□#

Feature

- 1.Diagonal 5.7 inch
- 2.No built-in controller
- 3.Built-in positive voltage
- 4.+3.3V / +5.0V single power supply
- 5.Driver interface

Pin Assignment

Pin No.	Symbol	Description
1	CL2	Data shift pulse
2	CL1	Data latch pulse
3	FLM	Scan start-up signal
4	M	Frame reverse signal
5~8	DB0~DB3	Data bus line
9	V0	Power supply for LCD
10	VDD	Power supply for logic
11	VSS	Ground
12	NC	No connection
13	K	Ground for LED
14	A	Power supply for LED+
15	DISP	Display OFF
16	VEE	Positive voltage output

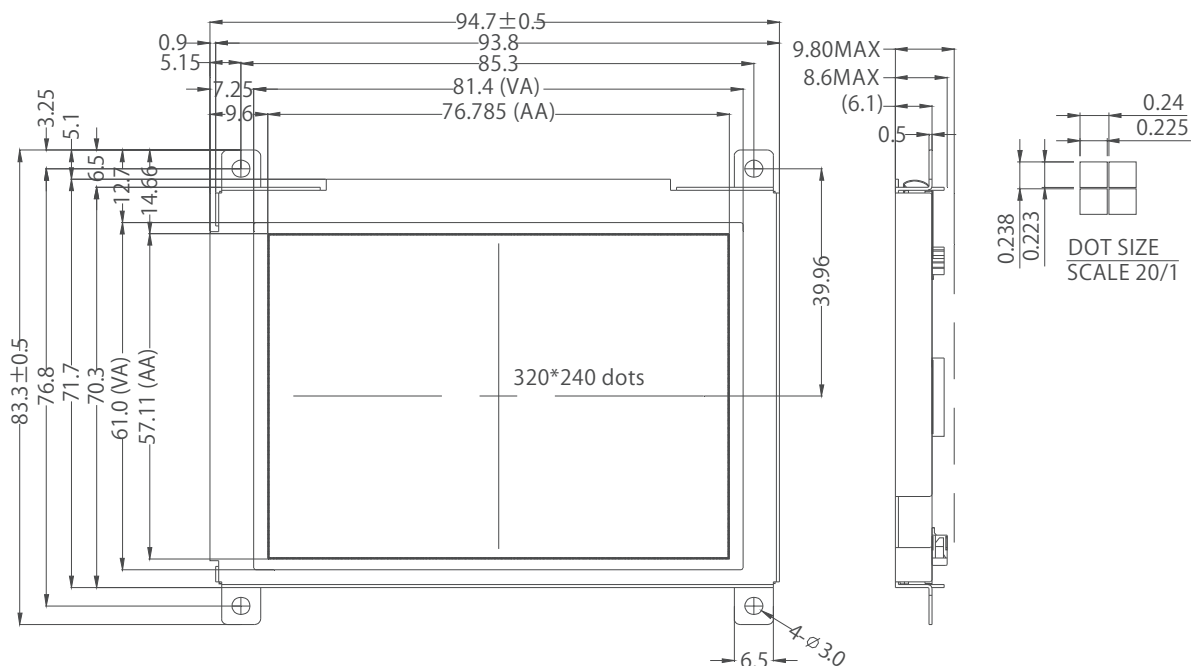
Mechanical Data

Item	Standard Value	Unit
Module Dimension	94.7 x 83.3	mm
Active Area	76.785 x 57.11	mm
Dot Pitch	0.238 x 0.24	mm
Dot Size	0.223 x 0.225	mm

Electrical Characteristics

Item	Symbol	Standard Value	Unit
		typ.	
Input Voltage	VDD	3.3 / 5.0	V

Mechanical Drawing



The non-specified tolerance of dimension is ± 0.3 mm.