

Part number list

SC0801C□□□-□□-□□-□

Feature

1. Built-in controller ST7066 or equivalent
2. +5V single power supply
3. (Option) +3V power supply

Pin Assignment

Pin No.	Symbol	Description
1	V _{SS}	Supply Ground
2	V _{DD}	Supply Voltage
3	V _O	Contrast Adjustment
4	RS	Register Select
5	R/W	Read/Write
6	E	Enable signal
7	DB0	Data bit 0
8	DB1	Data bit 1
9	DB2	Data bit 2
10	DB3	Data bit 3
11	DB4	Data bit 4
12	DB5	Data bit 5
13	DB6	Data bit 6
14	DB7	Data bit 7
15	A	LED Power
16	K	LED Power

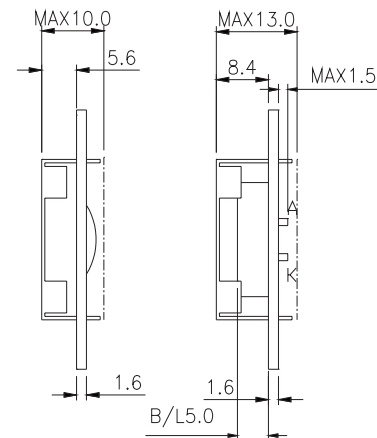
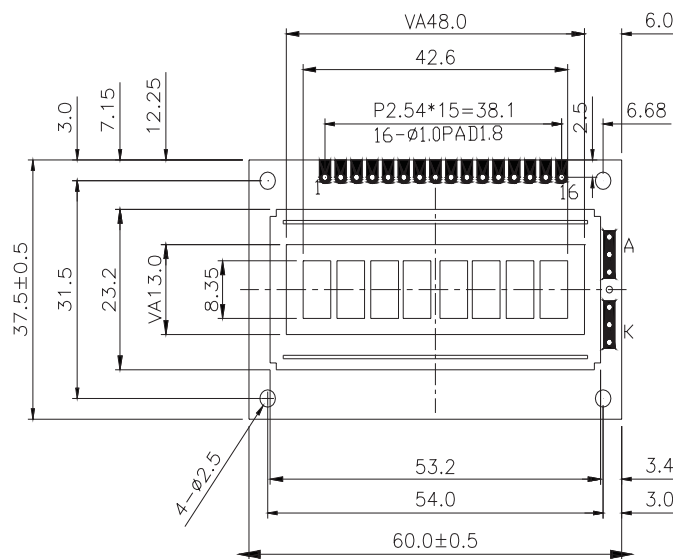
Mechanical Data

Item	Standard Value	Unit
Module Dimension	60.0 x 37.5	mm
Viewing Area	48.0 x 13.0	mm
Dot Size	0.85 x 1.0	mm
Character Size	4.45 x 8.35	mm

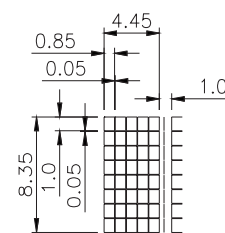
Electrical Characteristics

Item	Symbol	Standard Value	Unit
		typ.	
Input Voltage	VDD	5	V
Recommended LCD Driving Voltage for Normal Temp. Version module @ 25°C	VDD-VO	4.5	V

Mechanical Drawing



EL or NO B/L



SCALE 2 : 1