

Part number list

BC0802B□□□□□\$

Feature

1. Built-in controller ST7066 or equivalent
2. +5V single power supply
3. (Option) +3V power supply
No negative voltage for option

Pin Assignment

Pin No.	Symbol	Description
1	V _{SS}	GND
2	V _{DD}	+5V (+3V option)
3	V _O	Contrast Adjustment
4	RS	H/L register select signal
5	R/W	H/L read/white signal
6	E	H -->L enable signal
7	DB0	H/L data bus line
8	DB1	H/L data bus line
9	DB2	H/L data bus line
10	DB3	H/L data bus line
11	DB4	H/L data bus line
12	DB5	H/L data bus line
13	DB6	H/L data bus line
14	DB7	H/L data bus line

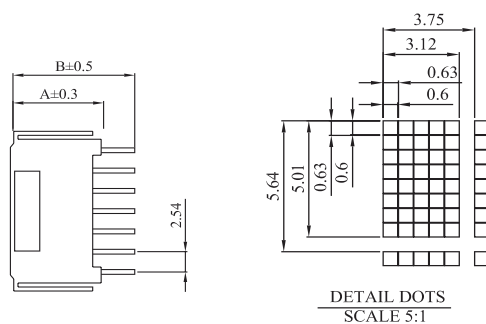
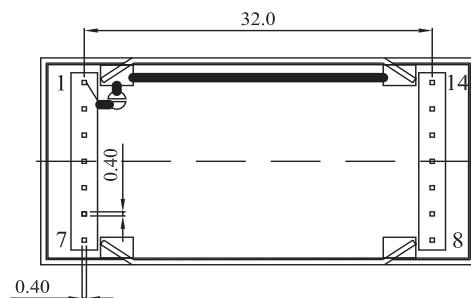
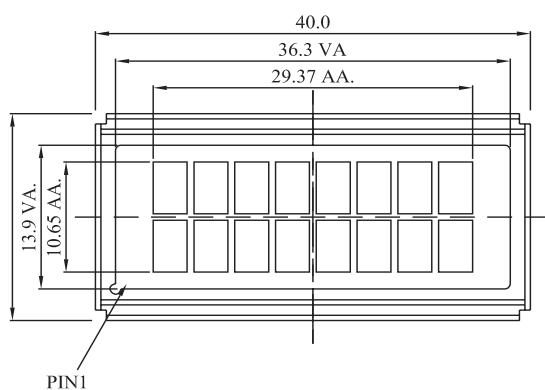
Mechanical Data

Item	Standard Value	Unit
Module Dimension	40.0 x 20.0	mm
Viewing Area	36.3 x 13.9	mm
Dot Size	0.6 x 0.6	mm
Character Size	3.12 x 5.01	mm

Electrical Characteristics

Item	Symbol	Standard Value	Unit
		typ.	
Input Voltage	V _{DD}	5	V
Recommended LCD Driving Voltage for Normal Temp. Version module @ 25°C	V _{DD-VO}	4.2	V

Mechanical Drawing



	A	B
NO B/L	7.8	11.5
LED B/L	10.8	14.5