

Part number list

BC1601D□□□□□\$
 SC1601D□□□-□□-□□-□

Feature

1. Built-in controller ST7066 or equivalent
2. +5V single power supply
3. (Option) +3V power supply
4. (Option) negative voltage for +3V power

Pin Assignment

Pin No.	Symbol	Description
1	V _{SS}	Supply Ground
2	V _{DD}	Supply Voltage
3	V _O	Contrast Adjustment
4	RS	Register Select
5	R/W	Read/Write
6	E	Enable signal
7	DB0	Data bus line
8	DB1	Data bus line
9	DB2	Data bus line
10	DB3	Data bus line
11	DB4	Data bus line
12	DB5	Data bus line
13	DB6	Data bus line
14	DB7	Data bus line
15	A	LED Power
16	K	LED Power

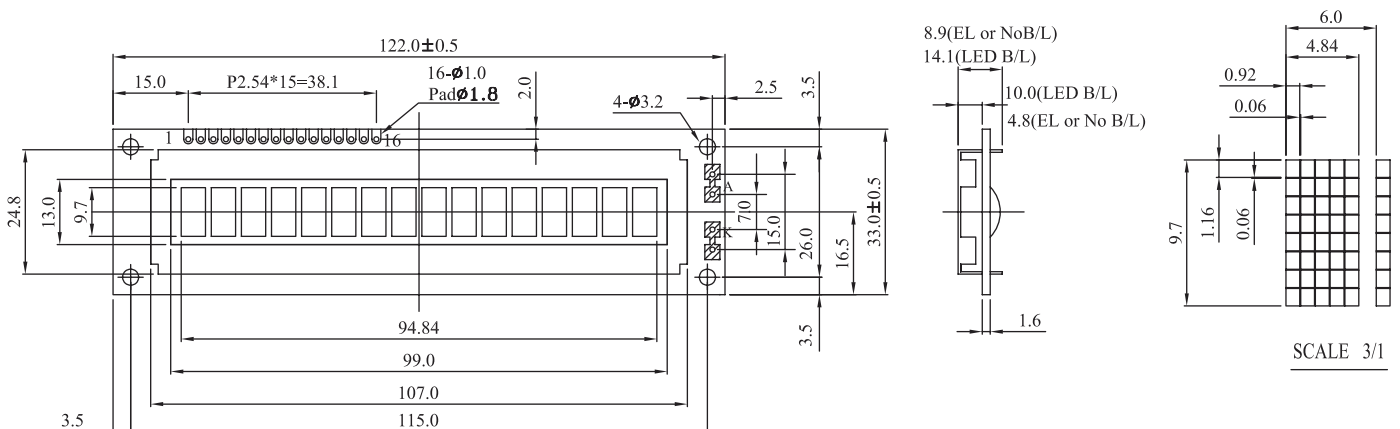
Mechanical Data

Item	Standard Value	Unit
Module Dimension	122.0 x 33.0	mm
Viewing Area	99.0 x 13.0	mm
Mounting Hole	0.92 x 1.16	mm
Character Size	4.84 x 9.07	mm

Electrical Characteristics

Item	Symbol	Standard Value	Unit
		typ.	
Input Voltage	VDD	5	V
Recommended LCD Driving Voltage for Normal Temp. Version module @ 25°C	VDD-VO	4.5	V

Mechanical Drawing



SCALE 3/1