

Part number list

SD1602Q□□□-□□-□□-□

Feature

1. Built-in controller ST7066 or equivalent
2. +5V single power supply
3. (Option) +3V power supply

Pin Assignment

Pin No.	Symbol	Description
1	V _{SS}	Supply Ground
2	V _{DD}	Supply Voltage
3	V _O	Contrast Adjustment
4	RS	Register Select
5	R/W	Read/Write
6	E	Enable signal
7	DB0	Data Bit 0
8	DB1	Data Bit 1
9	DB2	Data Bit 2
10	DB3	Data Bit 3
11	DB4	Data Bit 4
12	DB5	Data Bit 5
13	DB6	Data Bit 6
14	DB7	Data Bit 7
15	A	LED Power
16	K	LED Power

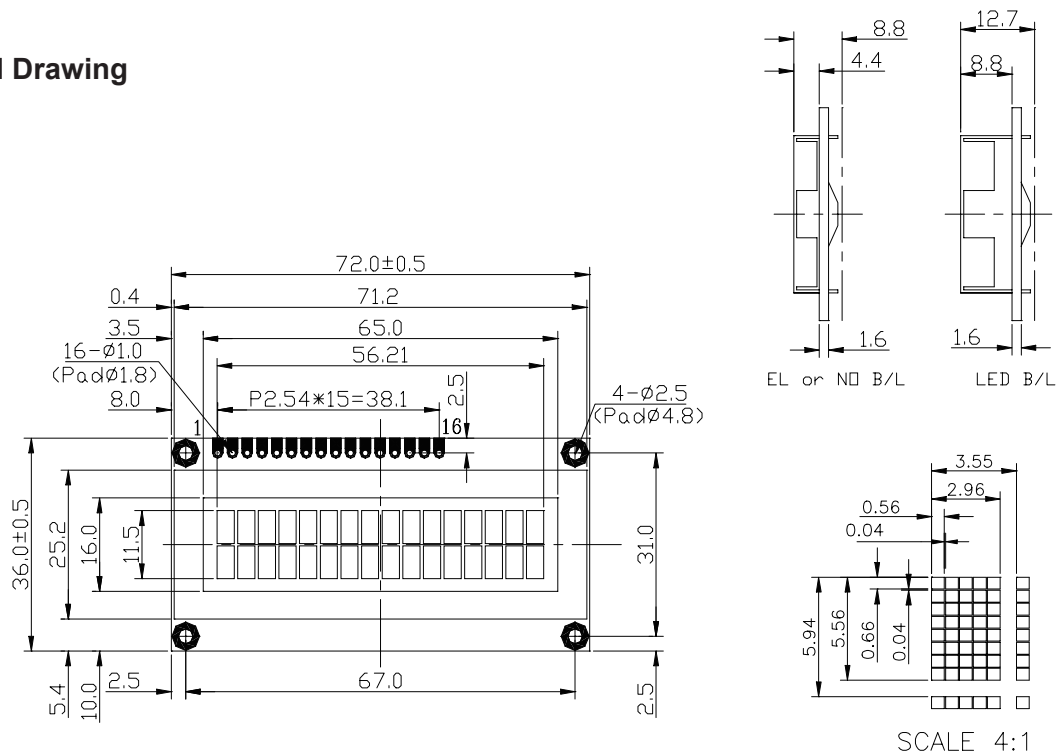
Mechanical Data

Item	Standard Value	Unit
Module Dimension	72.0 x 36.0	mm
Viewing Area	65.0 x 16.0	mm
Dot Size	0.56 x 0.66	mm
Character Size	2.96 x 5.56	mm

Electrical Characteristics

Item	Symbol	Standard Value	Unit
		typ.	
Input Voltage	V _{DD}	5	V
Recommended LCD Driving Voltage for Normal Temp. Version module @ 25°C	V _{DD-VO}	4.5	V

Mechanical Drawing



SCALE 4:1